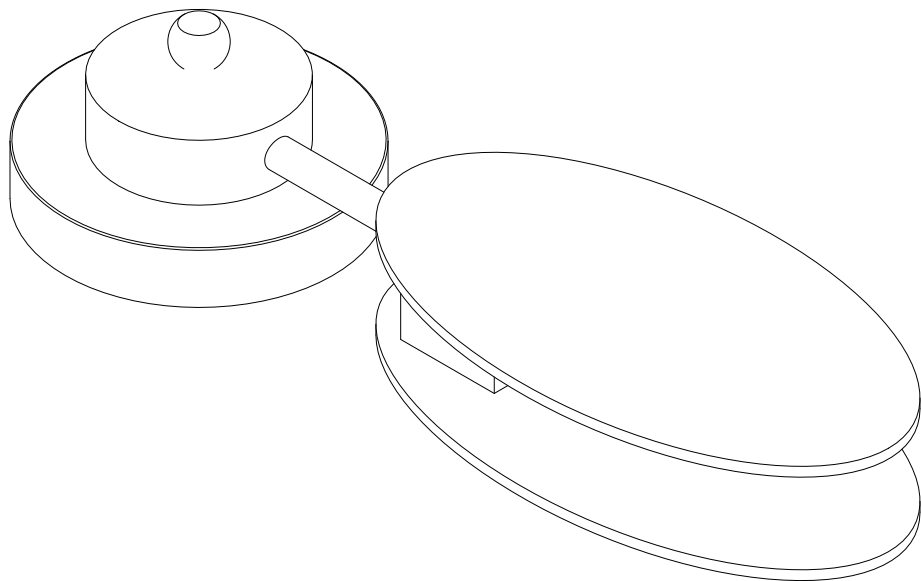
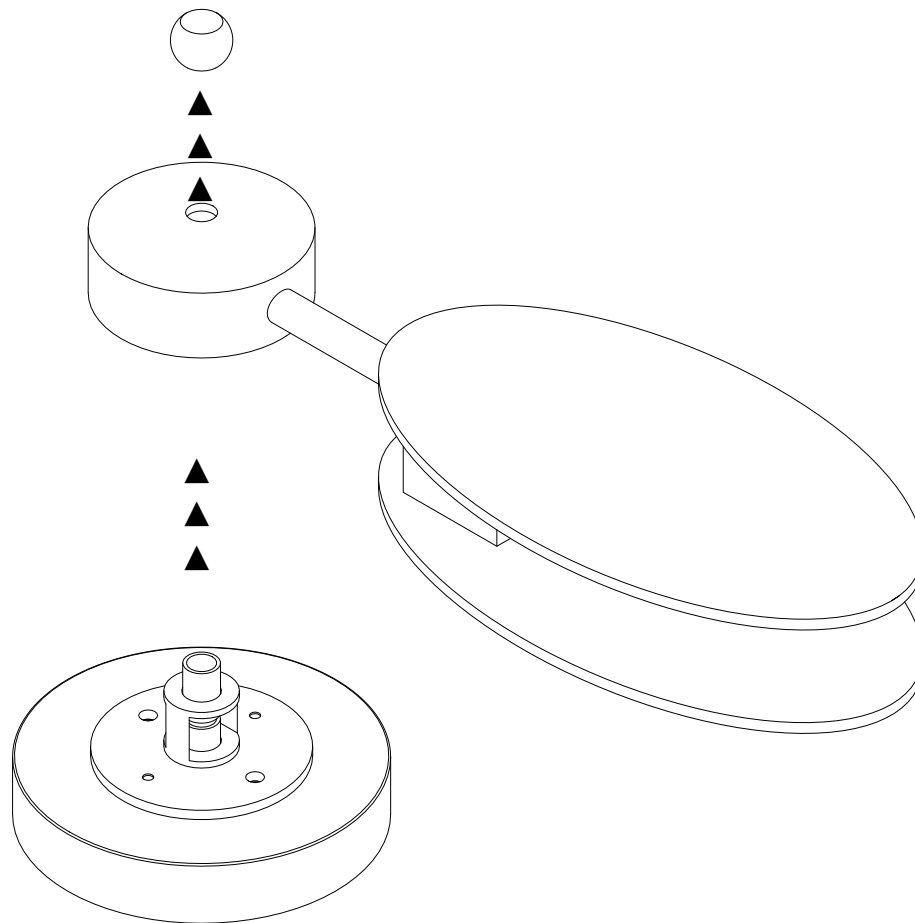


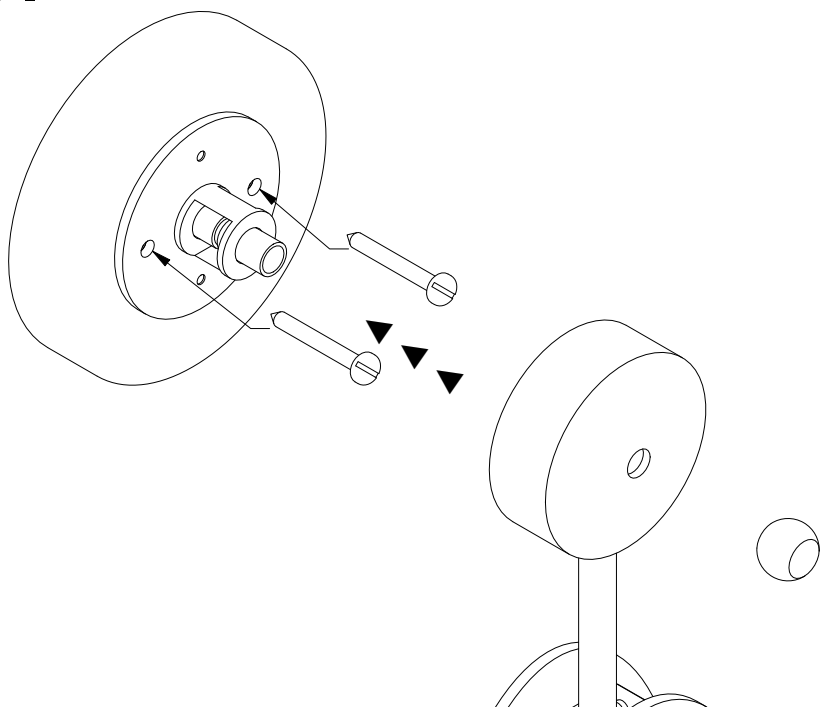
1.




2.



3.



### Assembly Instructions for Present Wall Lights

	Unit: cm		Company: Patinás Lámpa Kft.	
	Scale: 1 / 2	Sheet size: A4	Title: Present Wall Lights - Assembly Instructions	
Checked by:	Date: 2022. 02. 09.	Designer: Hájas András		Sheet: 1