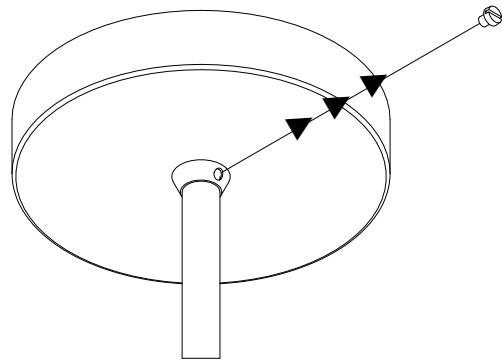
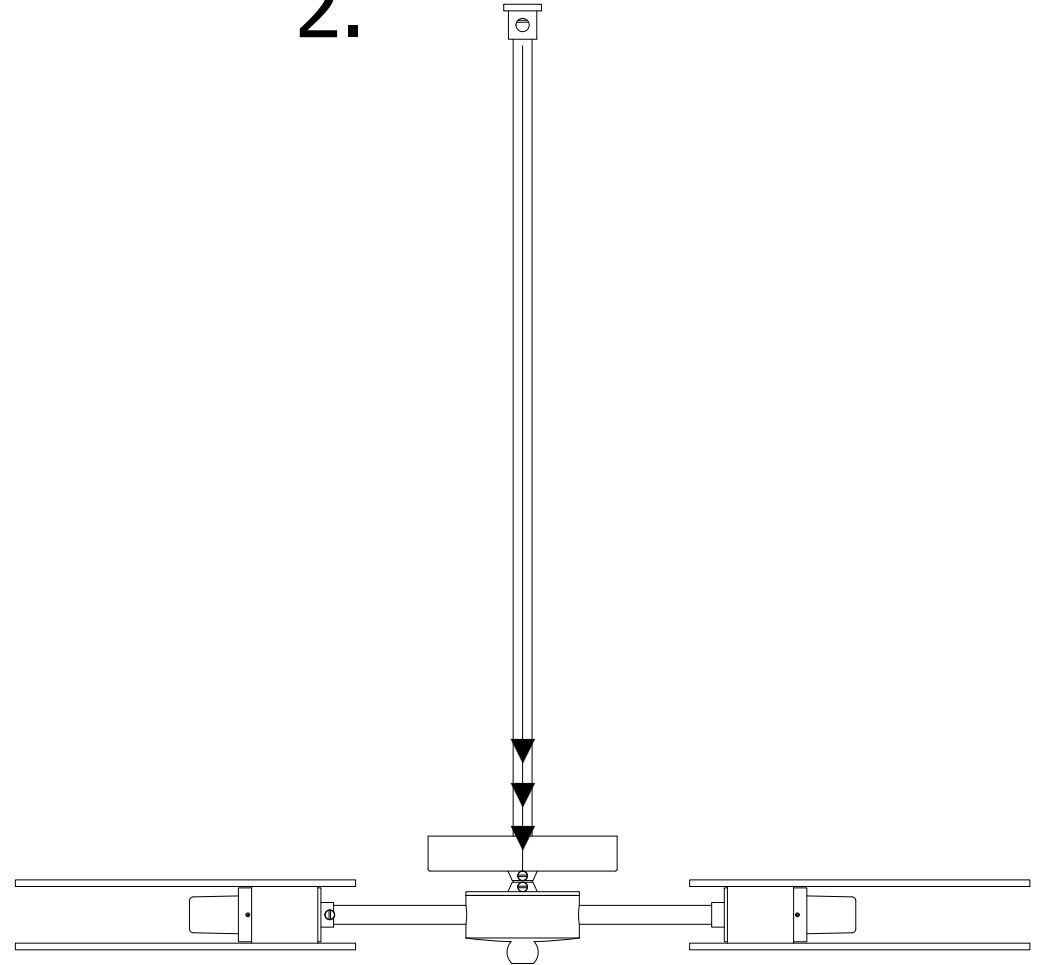


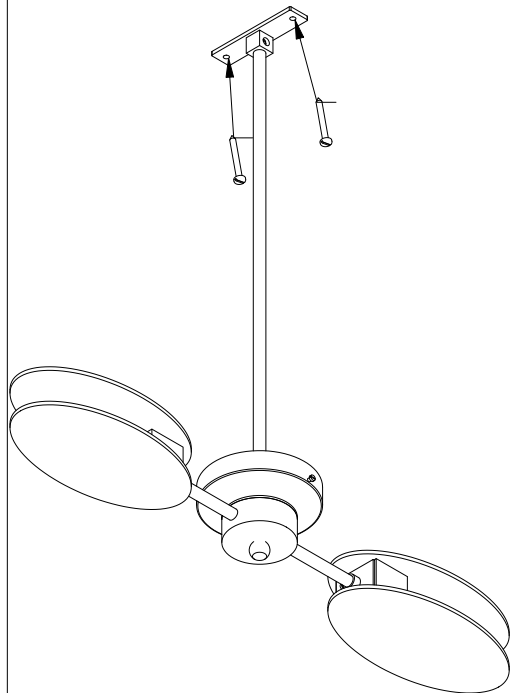
1.



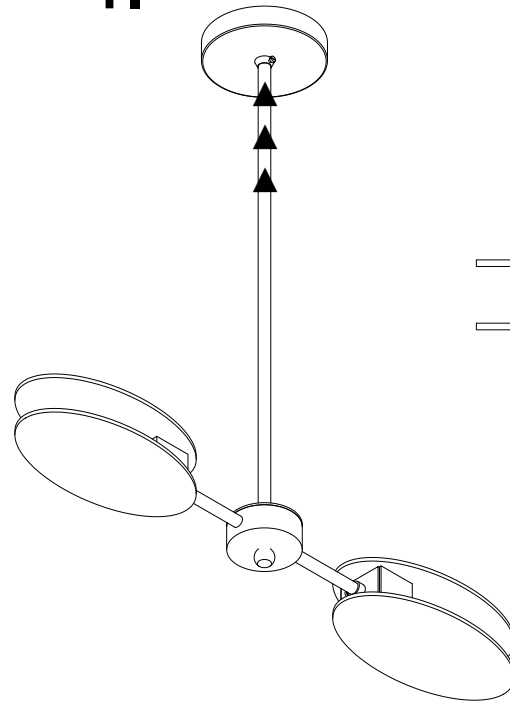
2.




3.



4.



Assembly Instructions for Present Pendants & Chandeliers

	Unit: cm		Company: Patinás Lámpa Kft.	
	Scale: 1 / 6	Sheet size: A4	Title: Assembly Instructions for Present Pendants & Chandeliers	
Checked by:	Date: 2022. 02. 09.	Designer: Hájás András		Sheet: 1