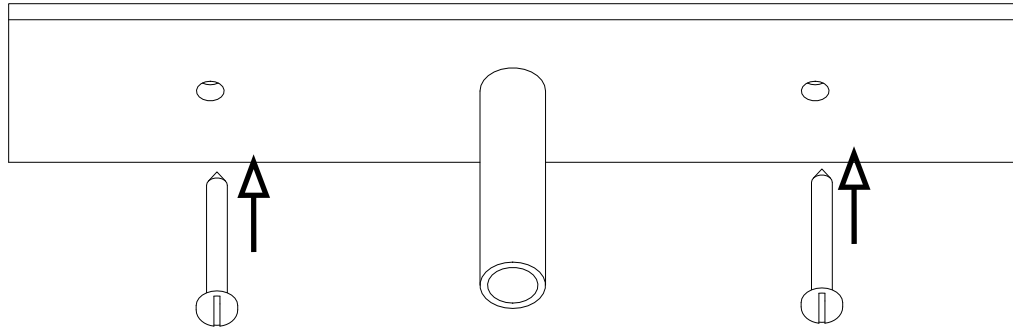
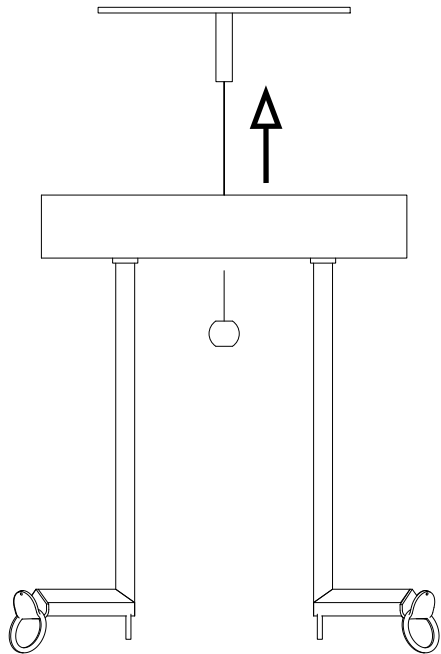


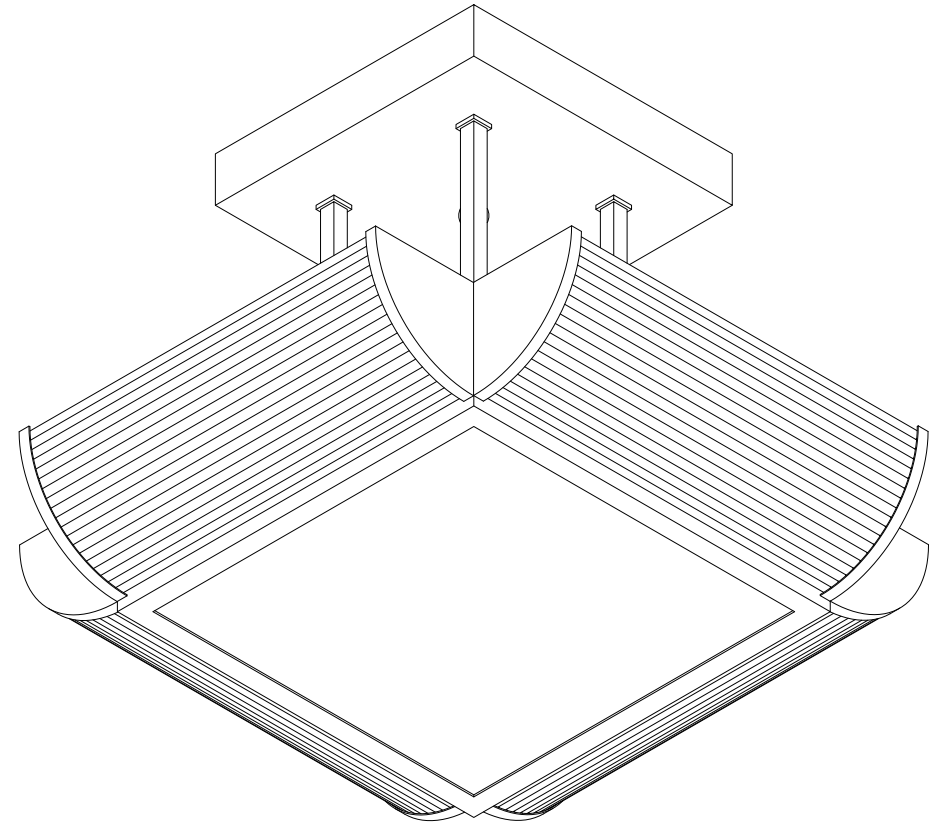
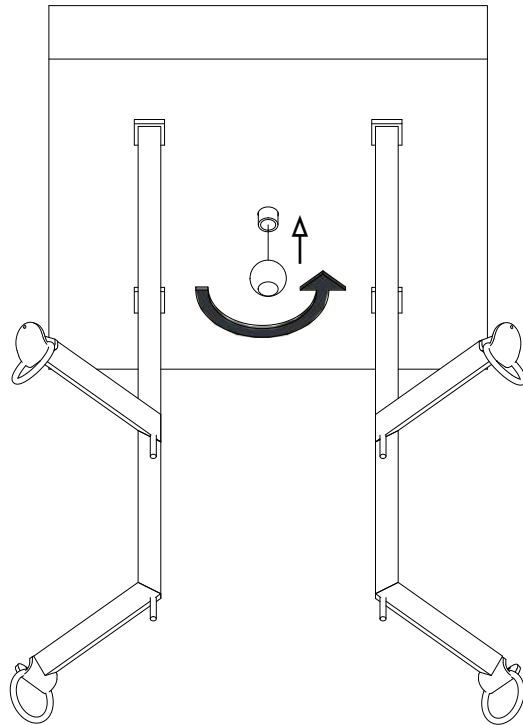
1.



2.



3.



EXCLUSIVE HANDMADE LIGHTING
1997-2021

Unit:
cm

Scale:
1 / 5

Sheet size:
A4

Company: Patinás Lámpa Kft.

Title: Assembly Instructions for Nizza Chandelier II.

Checked by: Date: 2022. 03. 29.

Designer: Hájas András

Sheet: 1