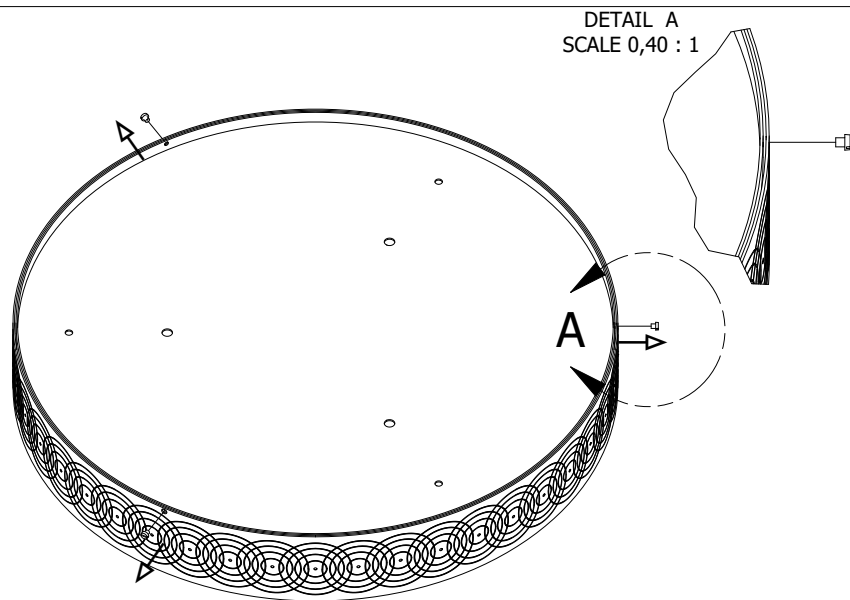
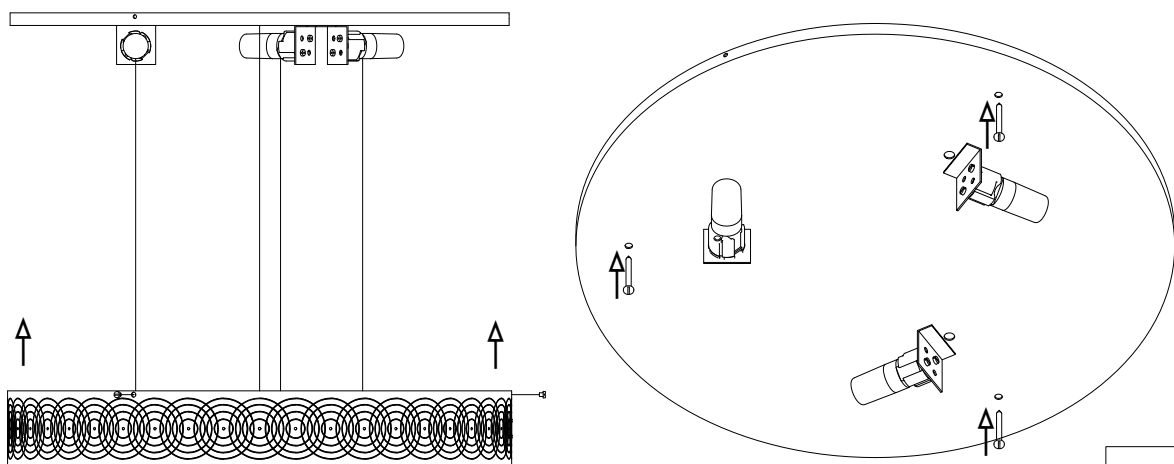



1.



2.



 Patinás EXCLUSIVE HANDMADE LIGHTING 1975	Unit: cm	Company: Patinás Lámpa Kft.	
	Scale: 1 / 5	Sheet size: A4	Title: Assembly Instructions for Éclipse 40 G9 Wall Light
Checked by:	Date: 2022. 03. 17.	Designer: Hájas András	Sheet: 1